



Technical data sheet

# EOS Bi-O Picco W

**Sauna heater for domestic sauna cabins.  
Wall-mounting model.**

Compact sauna heater with integrated vaporizer – enjoy flexible sauna climate of your choice, from hot and dry to mild and steamy, herbal bath and much more. Classic, timeless design with outer shell in chrome steel, anthracite pearl effect or matt black finish. Ideal for small domestic saunas.

## Your advantages:

- Compact, space-saving construction.
- Only 21,5 cm depth.
- 10 kg large rock store for water infusions.
- Available in two versions with three exterior designs.
- Optional feet allows floor-standing installation.
- Including 3,5 m connection cable.
- Made in Germany quality from EOS.

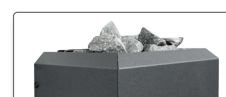
## Specifications:

Outer shell:	polished chrome steel, matt black or anthracite pearl effect finish
Inner shell:	Stainless steel
Rear wall:	Stainless steel
Stone support grill:	Stainless steel
Terminal box:	Stainless steel
Power rating:	3,0 / 3,5 kW
Vaporizer:	0,75 kW / 2 l
Power supply:	230 V 1N AC 50 Hz
Stone filling:	approx. 10 kg (Sauna stones optionally available)
Dimensions (HxWxD):	500 x 300 x 215 (*230) mm
Installation:	Wall-mounted heater or floor-standing heater with optional feet



Model 1

Model 2



Model 1



Model 2

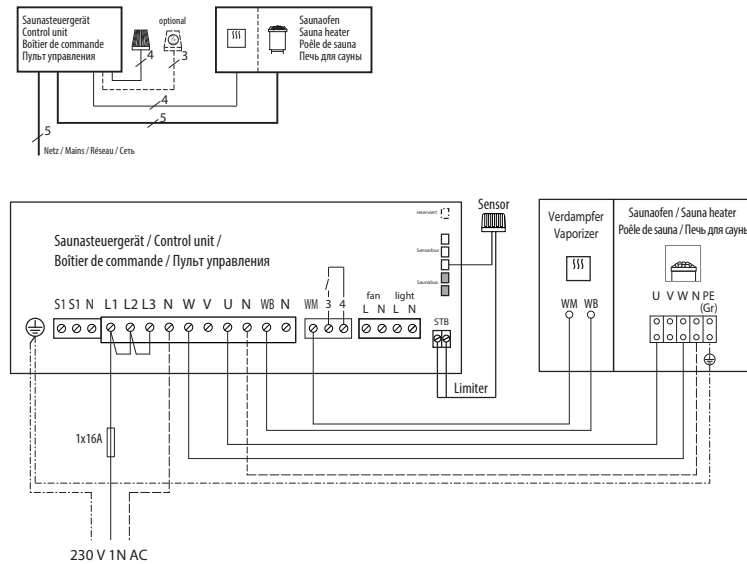


Optional feet

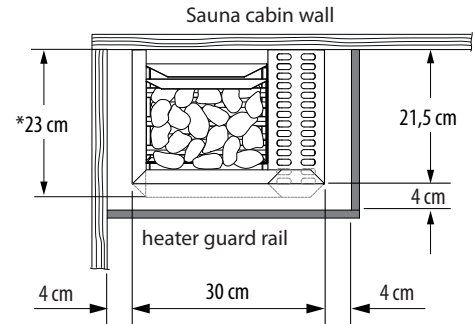
EMC CE IPx4 MADE IN GERMANY

### Connection diagram

3,0 + 3,5 kW



### Minimum clearances

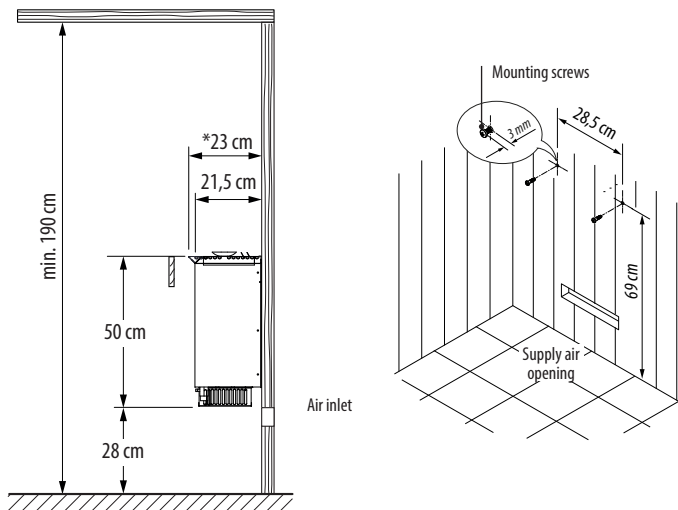


Heater guard must be installed by the cabin manufacturer.

### Accessories and Spare parts

Description	Item no.
Feet (black)	94 7631
Feet (anthracite)	94 7632
Heating element (1500W)	2000 8085
Heating element (2000W)	2000 8086
Heating element vaporizer 750 W / 2l	2001 2727

### Installation example and construction



### Suitable sauna control units

Model	Item no.
EOS Econ H2	94 6139
EOS Econ H3	94 6141
EOS Econ H4	94 5843
EOS Compact HP / HC	94 7432 / 94 7434
EOS EmoTec H	94 5560
EOS EmoStyle Hi	94 6317
EOS EmoTouch 3	94 6505

### Technical specifications

Power output	Vaporizer-power/-volume	Exterior	Electrical connection	Fuse protection (control unit)	Connection mains-control unit	Connection control unit-heater	Unit dimensions H/W/D, in cm	For sauna cabin size	Min. size air inlet and outlet	Weight without rocks	Stone filling	Power extension required
3,0 kW	750 W	chrome steel/ anthracite pearl effect/ matt black finish	230 V 1N AC 50Hz	1 x 16 A	3 x 1,5 mm <sup>2</sup>	6 x 1,5 mm <sup>2</sup>	50 / 30 / 21,5 (*23)	~ 3 - 4 m <sup>3</sup>	20 x 4 cm	8 kg	~ 10 kg	no
3,5 kW	2 l							~ 3 - 4,5 m <sup>3</sup>				

All cross sections of a line are minimum diameters in mm<sup>2</sup> (copper wire). \*Model 2

Druck-Nr.: 29345206 32.22

Technical changes reserved