



Technisches Datenblatt

# EOS Edge Control

**Sauna heater with built-in control for private saunas. Floor-standing model.**

Stylish sauna heater in "tower" design with open rock store on all sides for dry (Finnish) sauna.

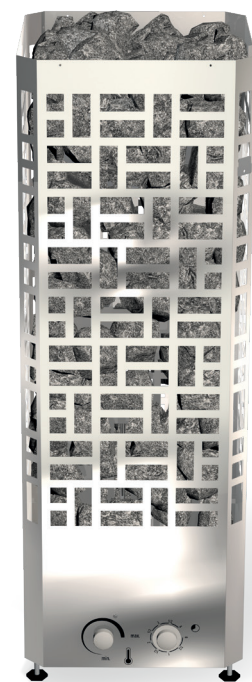
Exclusive premium class floor-standing heater with a distinctive side wall pattern - elegant and modern.

## Your advantages:

- Elegant "tower" design with built-in control unit and well-thought construction, ensuring stable air circulation for maximum performance.
- The design can be enhanced with optional side cover panels in anthracite or matt black finish.
- Outer shell and inner cage made of polished stainless steel - for durability and reliability.
- Adjustable feet provide a secure position by uneven floors.
- Uniform appearance on all sides - great for installation in front of glass or central position.
- Up to 115 kg sauna stones ensure excellent temperature stability and heat storage reserves for powerful steam shocks and a great sauna experience.
- Made in Germany Qualität von EOS.

## Specifications:

Outer shell:	Stainless steel
Inner cage:	Stainless steel
Terminal box:	integrated in the bottom of the heater
Power output:	7.5 and 9.0 kW
Power supply:	400 V 3N AC 50 Hz
Rock store volume:	approx. 115 kg (Sauna stones optionally available)
Dimensions (HxWxD):	100 x 35 x 35 cm (Adjustable feet)
Installation:	Floor-standing model
Temp. adjustment range:	40 - 100 °C

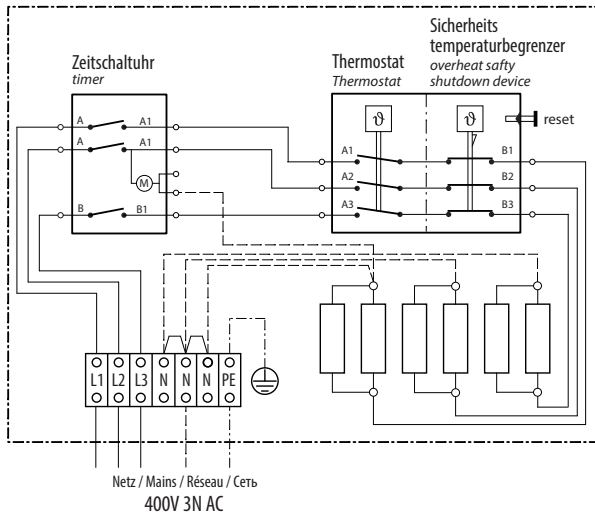


Optional side cover panels with anthracite or black finish.

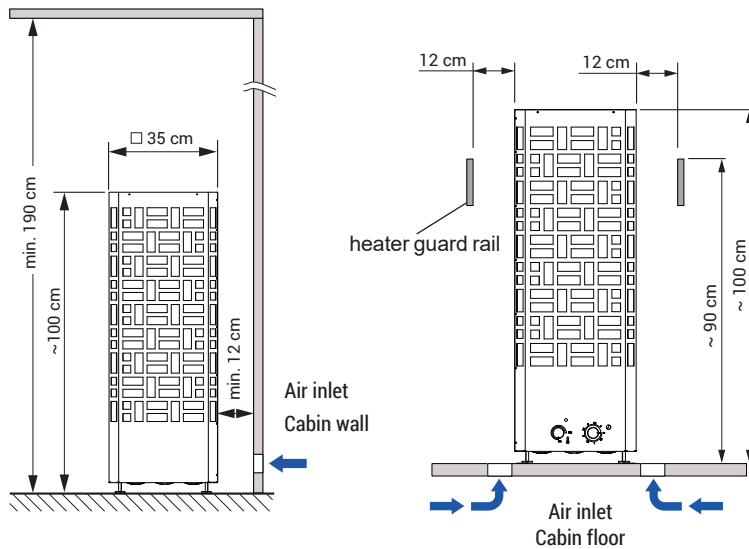
CE EAC IPx4 MADE IN GERMANY 

### Connection diagram

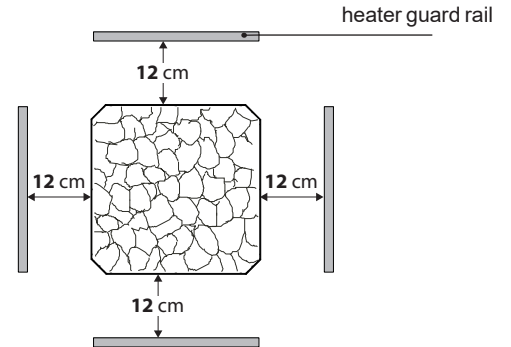
7,5 + 9,0 kW



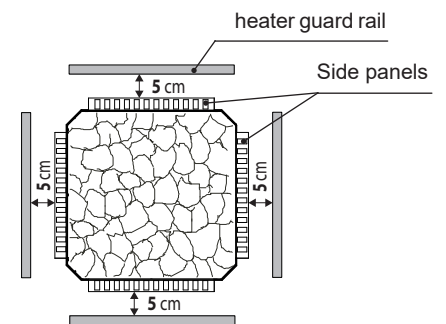
### Installation example



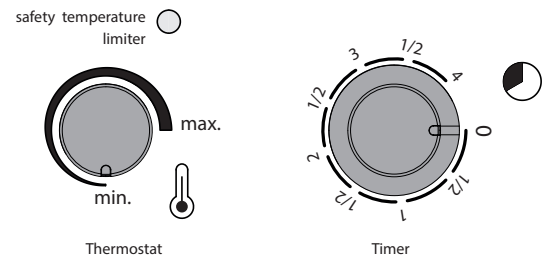
### Minimum clearances



### Clearances with side panels



### Operation



### Spare heating elements

Description	Item no.
7,5 kW (3 x 1000 W, 3 x 1500 W)	2001.0888/0894
9,0 kW (6 x 1500 W)	2001.0894

### Technical specifications

Item no.	Power output	Electrical connection	Fuse protection	Connection power supply - sauna heater	Dimensions H / W / D, cm	For sauna cabin size	Min. size of air inlet and outlet	Weight without rocks	Stone filling	Temperature-adjustment range
94.7367	7,5 kW	400 V 3N AC 50 Hz	3 x 16 A	5 x 1,5 mm <sup>2</sup> , max. 10 m	100 / 35 / 35	8 - 12 m <sup>3</sup>	35 x 5 cm	17 kg	ca. 115 kg	40 - 100 °C
94.7368	9,0 kW					9 - 14 m <sup>3</sup>	35 x 6 cm			

All cross sections of a line are minimum diameters in mm<sup>2</sup> (copper wire), make sure to observe 18 cm ground clearance.